

**LEGISTAR NO. 2023-2772
SUPPLEMENTAL ATTACHMENT
ACTIVATED SLUDGE CLARIFIER ENTRY IMPROVEMENTS AT PLANT NO. 2, PROJECT
NO. FR2-0023**

Secondary Clarifier Safety Improvements

Figure 1 – Existing Problem:

Difficult ingress/egress at the secondary clarifiers due to inconvenient placement of ladder and davit crane.

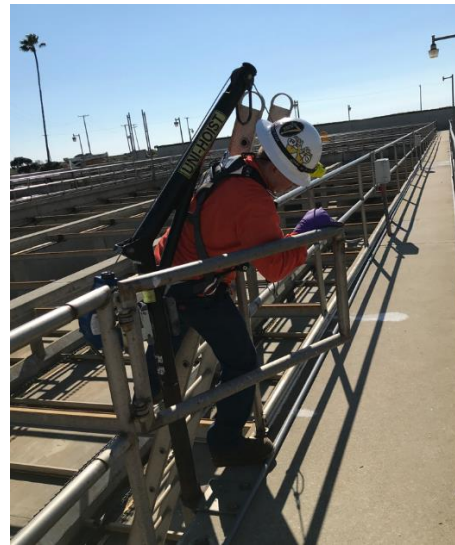
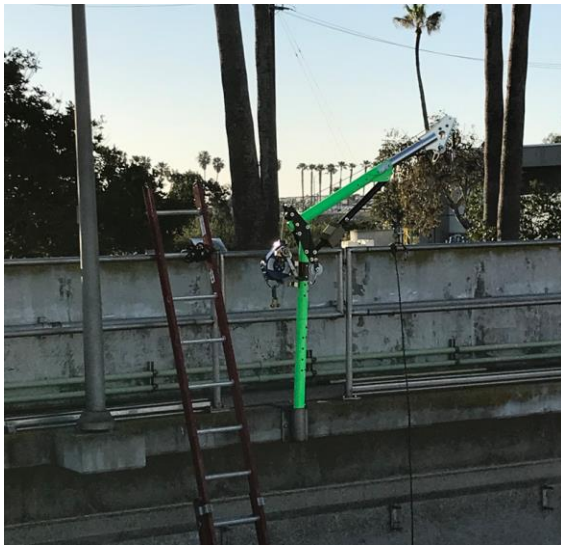
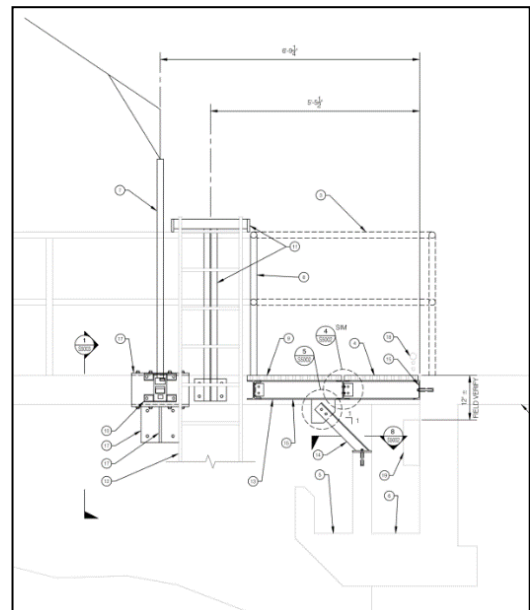
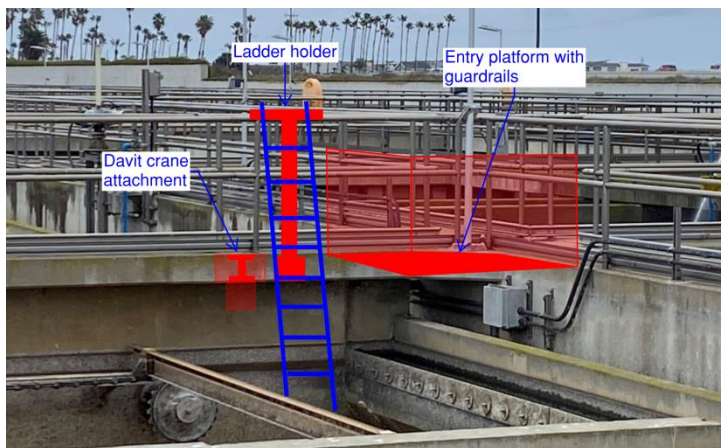


Figure 2 – Solution:

New entry platform layout with improved placement for ladder access.



DAFT Facility Safety Improvements

Figure 3 – Existing Problem:

Existing platform over the DAFT basin (similar layout in all four DAFTs) without fall protection.



Figure 4 – Solution:

New fall restraint beam over platform and walkway modification for safer platform access.

